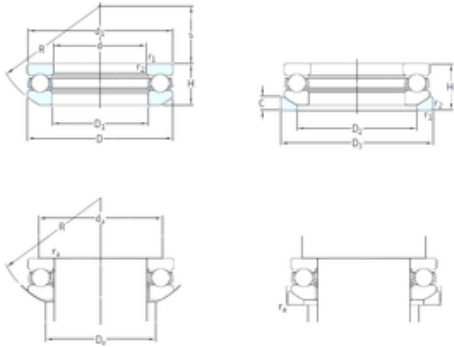




Timken BEARING MFG.CORP



SKF 53322M+U322 thrust ball bearings

Bearing No. 53322M+U322

53322M+U322 Bearing 2D drawings and 3D CAD models

Size	110x190x67.2 mm
Bore Diameter	110 mm
Outer Diameter	190 mm
Width	67,2 mm
d	110 mm
D	190 mm
H	67,2 mm
d1	187 mm
r1 min.	2 mm
r2 min.	2 mm
s	51 mm
C	20 mm
D1	113 mm
D2	150 mm
D3	195 mm
H1	72 mm
R	140 mm
da min.	140 mm
Da max.	158 mm
rb max.	1 mm
Weight	9,1 Kg
Basic dynamic load rating (C)	281 kN
Basic static load rating (C0)	815 kN
Fatigue load limit (Pu)	24,5
Reference speed	1100 r/min
Limiting speed	1600 r/min



Timken BEARING MFG.CORP