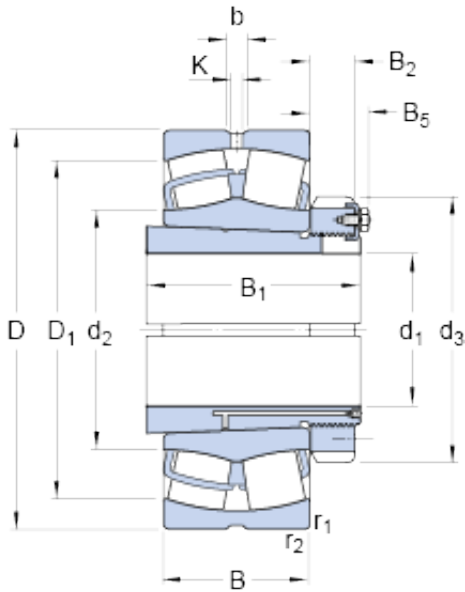




# Timken BEARING MFG.CORP

## SKF 23952 CCK/W33 + OH 3952 H tapered roller bearings

Bearing No. 23952 CCK/W33 + OH 3952 H



23952 CCK/W33 + OH 3952 H Bearing 2D drawings and 3D CAD models

Size	360x240x75 mm
Bore Diameter	360 mm
Outer Diameter	240 mm
Width	75 mm
$d_1$	240 mm
D	360 mm
B	75 mm
$d_2$	287 mm
$d_3$	310 mm
$D_1$	331 mm
$B_1$	116 mm
$B_2$	34 mm
$B_5$	46 mm
b	8.3 mm
K	4.5 mm
$r_{1,2}$ - min.	2.1 mm
$d_a$ - max.	287 mm
$d_b$ - min.	270 mm
$D_a$ - max.	349 mm
$B_a$ - min.	12 mm
$r_a$ - max.	2 mm
Basic dynamic load rating - C	1055 kN
Basic static load rating - $C_0$	1800 kN



## Timken BEARING MFG.CORP

Fatigue load limit - $P_u$	156 kN
Reference speed	1700 r/min
Limiting speed	1900 r/min
Calculation factor - e	0.18
Calculation factor - $Y_1$	3.8
Calculation factor - $Y_2$	5.6
$d_1$	240 mm
$d_2$	287 mm
$d_3$	310 mm
$D_1$	331 mm
$B_1$	116 mm
$B_2$	34 mm
$B_5$	46 mm
$r_{1,2}$ min.	2.1 mm
$d_a$ max.	287 mm
$d_b$ min.	270 mm
$D_a$ max.	349 mm
$B_a$ min.	12 mm
$r_a$ max.	2 mm
Basic dynamic load rating C	1055 kN
Basic static load rating $C_0$	1800 kN
Fatigue load limit $P_u$	156 kN
Calculation factor e	0.18
Calculation factor $Y_1$	3.8
Calculation factor $Y_2$	5.6
Calculation factor $Y_0$	3.6
Mass bearing + sleeve	35 kg