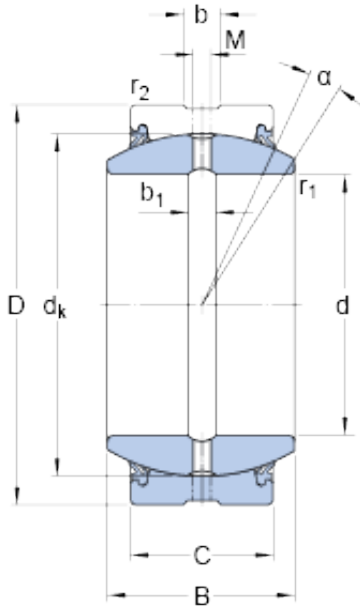




Timken BEARING MFG.CORP

140 mm x 210 mm x 90 mm SKF GE 140 ES-2RS plain bearings

Bearing No. GE 140 ES-2RS



GE 140 ES-2RS Bearing 2D drawings and 3D CAD models

Size	210x140x90 mm
Bore Diameter	210 mm
Outer Diameter	140 mm
Width	90 mm
d	140 mm
D	210 mm
B	90 mm
C	70 mm
	7 °
d _k	180 mm
d ₁	180 mm
b	13.5 mm
b ₁	13.5 mm
M	6 mm
r ₁ - min.	1 mm
r ₂ - min.	1 mm
d _a - min.	149 mm
d _a - max.	155.5 mm
D _a - min.	180 mm
D _a - max.	202.5 mm
r _a - max.	1 mm
r _b - max.	1 mm
Basic dynamic load rating - C	1080 kN
Basic static load rating - C ₀	5400 kN



Timken BEARING MFG.CORP

Specific factor dinamic load - K	100 N/mm ²
Specific factor static load - K ₀	500 N/mm ²
Constant - K _M	330
Category	Spherical Plain Bearings - Radial
Inventory	0.0
Manufacturer Name	SKF
Minimum Buy Quantity	N/A
Weight / Kilogram	11.01
EAN	7316576609565
Product Group	B04264
Self Aligning	Yes
Rolling Element	Spherical Plain
Material - Outer Member	Steel
Material - Ball	Steel
Material - Liner	Not Applicable
Relubricatable	Yes
Enclosure	2 Seals
Other Features	2 Piece Double Lip Seals Lubrication Hole and an Annular Groove in Both Rings
Long Description	140MM Bore; 70MM Housing Width; 210MM Outside Diameter; Spherical Plain; Steel Outer Member; Steel Ball; No Liner; 90MM Overall Width; Relubricatable
Inch - Metric	Metric
Category	Plain Bearings Spherical Radial
UNSPSC	31171515
Harmonized Tariff Code	8483.30.80.70



Timken BEARING MFG.CORP

Noun	Bearing
Keyword 3	Spherical
Keyword String	Plain Spherical Radial
Manufacturer URL	http://www.skf.com
Manufacturer Item Number	GE 140 ES-2RS
Weight / LBS	24.251
Outside Diameter	8.268 Inch 210 Millimeter
Overall Width	3.543 Inch 90 Millimeter
Housing Width	2.756 Inch 70 Millimeter
Bore	5.512 Inch 140 Millimeter
bore diameter:	140 mm
inner ring material:	Steel
outside diameter:	210 mm
outer ring width:	70 mm
misalignment angle:	7 °
grade:	Commercial/Industrial
inner ring width:	90 mm
overall width:	90 mm
bearing type:	Radial
radial static load capacity:	5400 kN
lubrication type:	Requires Lubrication
radial dynamic load capacity:	1080 kN
closure type:	Sealed
operating temperature range:	-30 to +130 ° C ° F
outer ring material:	Steel
manufacturer upc number:	7316576609565
Lubricant	Regular relubrication – grease
Design (sliding contact surface combination)	Steel/steel
Sealing solution	Double-lip seals



Timken BEARING MFG.CORP

	7 °
d_k	180 mm
b_1	13.5 mm
r_1 min.	1 mm
r_2 min.	1 mm
d_a min.	149 mm
d_a max.	155.5 mm
D_a min.	180 mm
D_a max.	202.5 mm
r_a max.	1 mm
r_b max.	1 mm
Basic dynamic load rating C	1080 kN
Basic static load rating C_0	5400 kN
Specific dynamic load factor K	100 N/mm ²
Specific static load factor K_0	500 N/mm ²
Material constant K_M	330
Mass plain bearing	11 kg