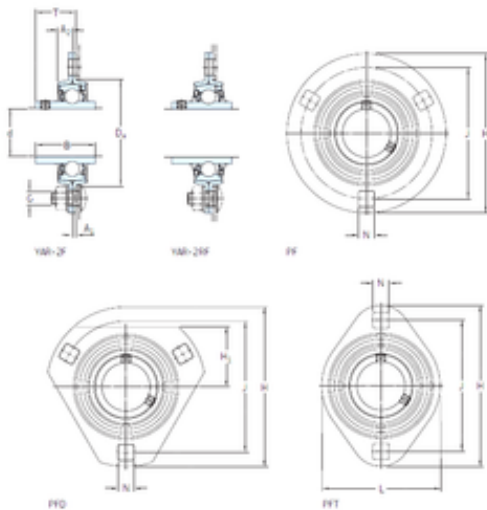




Timken BEARING MFG.CORP



SKF PF 30 TR bearing units

Bearing No. PF 30 TR

| | |
|---|---------------|
| Bore Diameter | 30 mm |
| Width | 38,1 mm |
| d | 30 mm |
| Da | 71 mm |
| A1 | 2,5 mm |
| B | 38,1 mm |
| G | 10 mm |
| H | 112 mm |
| H1 | – mm |
| J | 90,5 mm |
| L | – |
| N | 10,5 mm |
| T | 24,7 mm |
| A2 | 9,5 mm |
| Weight | 0,58 Kg |
| Basic dynamic load rating (C) | 19,5 kN |
| Basic static load rating (C0) | 11,2 kN |
| Housing material | Pressed steel |
| A ₁ | 2.5 mm |
| A ₂ | 9.5 mm |
| B ₄ | 5 mm |
| D _a min. | 67 mm |
| s ₁ | 22.2 mm |
| Basic dynamic load rating C | 19.5 kN |
| Basic static load rating C ₀ | 11.2 kN |
| Fatigue load limit P _u | 0.475 kN |

PF 30 TR Bearing 2D drawings and 3D CAD models



Timken BEARING MFG.CORP

| | |
|---|-------------|
| Permissible radial housing load max. | 5 kN |
| Mass unit | 0.58 kg |
| Thread grub screw G ₂ | M6x0.75 |
| Hexagonal key size for grub screw N | 3 mm |
| Recommended tightening torque for grub screw | 4 N · m |
| Recommended diameter for attachment bolts, mm G | 10 mm |
| Recommended diameter for attachment bolts, inch G | 0.375 in |
| Bearing | YAR 206-2RF |
| Housing | PF 62 |