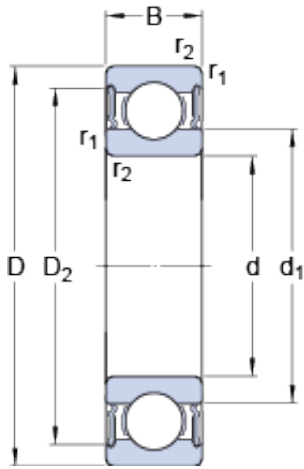




Timken BEARING MFG.CORP



60 mm x 78 mm x 10 mm SKF 61812-2RS1 deep groove ball bearings

Bearing No. 61812-2RS1

61812-2RS1 Bearing 2D drawings and 3D CAD models

Size	78x60x10 mm
Bore Diameter	78 mm
Outer Diameter	60 mm
Width	10 mm
d	60 mm
D	78 mm
B	10 mm
d ₁	65.6 mm
D ₂	74.5 mm
r _{1,2} - min.	0.3 mm
d _a - min.	62 mm
d _a - max.	65.5 mm
D _a - max.	76 mm
r _a - max.	0.3 mm
Basic dynamic load rating - C	11.9 kN
Basic static load rating - C ₀	11.4 kN
Fatigue load limit - P _u	0.49 kN
Limiting speed	4800 r/min
Calculation factor - k _r	0.015
Calculation factor - f ₀	16.9
Category	Single Row Ball Bearings
Inventory	0.0
Manufacturer Name	SKF
Minimum Buy Quantity	N/A



Timken BEARING MFG.CORP

Weight / Kilogram	0.116
Product Group	B00308
Enclosure	2 Seals
Precision Class	ABEC 1 ISO P0
Maximum Capacity / Filling Slot	No
Rolling Element	Ball Bearing
Snap Ring	No
Internal Special Features	No
Cage Material	Steel
Enclosure Type	Contact Seal
Internal Clearance	C0-Medium
Inch - Metric	Metric
Long Description	60MM Bore; 78MM Outside Diameter; 10MM Outer Race Diameter; 2 Seals; Ball Bearing; ABEC 1 ISO P0; No Filling Slot; No Snap Ring; No Internal Special Features
Category	Single Row Ball Bearing
UNSPSC	31171504
Harmonized Tariff Code	8482.10.50.68
Noun	Bearing
Keyword String	Ball
Manufacturer URL	http://www.skf.com
Manufacturer Item Number	61812 2RS1
Weight / LBS	0.26
Outer Race Width	0.394 Inch 10 Millimeter
Bore	2.362 Inch 60 Millimeter
Outside Diameter	3.071 Inch 78 Millimeter
bore diameter:	60 mm
static load capacity:	11.4 kN
outside diameter:	78 mm



Timken BEARING MFG.CORP

precision rating:	Not Rated
overall width:	10 mm
finish/coating:	Uncoated
bore type:	Round
cage material:	Steel
closure type:	Double Sealed
outer ring width:	10 mm
row type & fill slot:	Single Row Non-Fill Slot
fillet radius:	0.3 mm
internal clearance:	C0
maximum rpm:	4800 RPM
operating temperature range:	-40 to +210 ° F
series:	61
dynamic load capacity:	11.9 kN
d_1	65.4 mm
D_2	0 mm
$r_{1,2}$ min.	0.3 mm
d_a min.	62 mm
d_a max.	65.5 mm
D_a max.	76 mm
r_a max.	0.3 mm
Basic dynamic load rating C	11.4 kN
Basic static load rating C_0	11 kN
Fatigue load limit P_u	0.465 kN
Calculation factor k_r	0.015
Calculation factor f_0	16.9
Mass bearing	0.11 kg