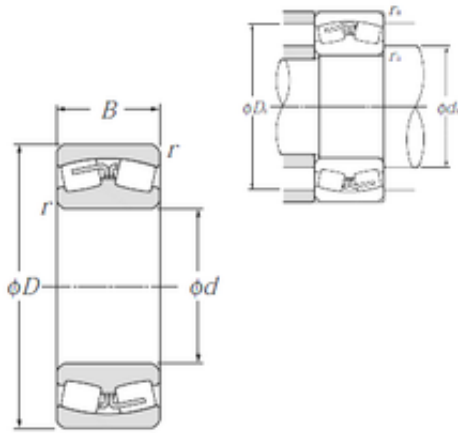




Timken BEARING MFG.CORP

260 mm x 440 mm x 144 mm NTN 23152B
spherical roller bearings



Bearing No. 23152B

23152B Bearing 2D drawings and 3D CAD models

Size	260x440x144 mm
Bore Diameter	260 mm
Outer Diameter	440 mm
Width	144 mm
d	260 mm
D	440 mm
B	144 mm
C	144 mm
r min.	4 mm
da min.	278 mm
Da max.	422 mm
ra max.	3 mm
Weight	91,4 Kg
Basic dynamic load rating (C)	2 140 kN
Basic static load rating (C0)	3 850 kN
(Grease) Lubrication Speed	710 r/min
(Oil) Lubrication Speed	920 r/min
Calculation factor (e)	0,33
Calculation factor (Y0)	2,01
Calculation factor (Y1)	2,05
Category	Bearings
Inventory	0.0
Manufacturer Name	NTN
Minimum Buy Quantity	N/A
Weight / Kilogram	98



Timken BEARING MFG.CORP

EAN	4547359521597
Product Group	B04311