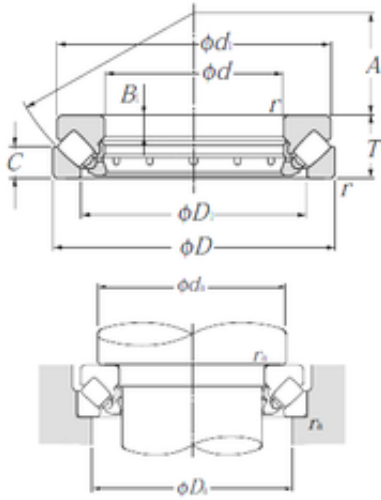




# Timken BEARING MFG.CORP



## NTN 29384 thrust roller bearings

Bearing No. 29384

Size	420x650x140 mm
Bore Diameter	420 mm
Outer Diameter	650 mm
Width	140 mm
d	420 mm
D	650 mm
T	140 mm
B1	48 mm
C	68 mm
d1	626 mm
r min.	6 mm
A	235 mm
D1	520 mm
da min.	525 mm
Da max.	575 mm
ra max.	5 mm
Weight	172 Kg
Basic dynamic load rating (C)	3 600 kN
Basic static load rating (C0)	15 500 kN

29384 Bearing 2D drawings and 3D CAD models