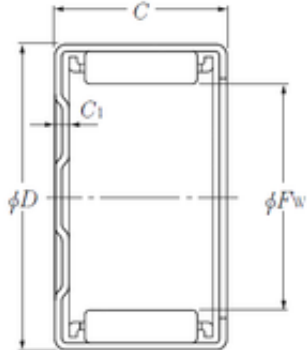




# Timken BEARING MFG.CORP

## NTN BK3516 needle roller bearings



Bearing No. BK3516

Size	35x42x16 mm
Bore Diameter	35 mm
Outer Diameter	42 mm
Width	16 mm
Fw	35 mm
D	42 mm
C	16 mm
C1	2,7 mm
Weight	0,044 Kg
Basic dynamic load rating (C)	19,7 kN
Basic static load rating (C0)	35 kN
(Grease) Lubrication Speed	4 700 r/min

BK3516 Bearing 2D drawings and 3D CAD models