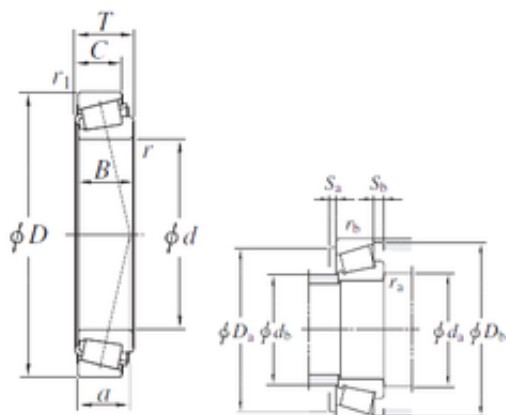




Timken BEARING MFG.CORP

190,5 mm x 282,575 mm x 47,625 mm KOYO
87750/87111 tapered roller bearings

Bearing No. 87750/87111



87750/87111 Bearing 2D drawings and 3D CAD models

Size	190.5x282.575x50.8 mm
Bore Diameter	190,5 mm
Outer Diameter	282,575 mm
Width	50,8 mm
d	190,5 mm
D	282,575 mm
T	50,8 mm
B	47,625 mm
C	36,512 mm
a	55,7 mm
r min.	3,6 mm
r1 min.	3,2 mm
da min.	203 mm
Da min	256 mm
Da max.	271 mm
db max.	215 mm
ra max.	3,6 mm
rb max.	3,2 mm
Db	266 mm
Weight	9,67 Kg
Basic dynamic load rating (C)	410 kN
Basic static load rating (C0)	726 kN
Calculation factor (e)	0,42
Calculation factor (Y0)	0,79