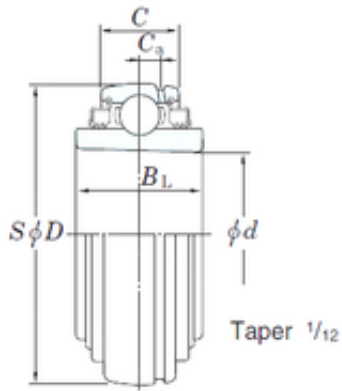




Timken BEARING MFG.CORP

110 mm x 240 mm x 78 mm KOYO UK322L3
deep groove ball bearings



Bearing No. UK322L3

Size	110x240x78 mm
Bore Diameter	110 mm
Outer Diameter	240 mm
Width	78 mm
d	110 mm
D	240 mm
B	78 mm
C	60 mm
C	20 mm
Weight	12,2 Kg
Basic dynamic load rating (C)	205 kN
Basic static load rating (C0)	180 kN

UK322L3 Bearing 2D drawings and 3D CAD models