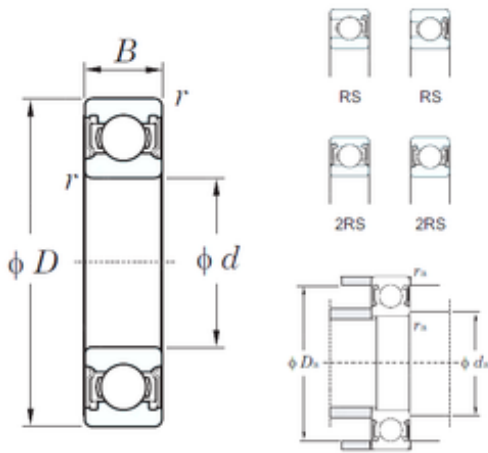




Timken BEARING MFG.CORP



100 mm x 150 mm x 24 mm KOYO 6020-2RS
deep groove ball bearings

Bearing No. 6020-2RS

Size	100x150x24 mm
Bore Diameter	100 mm
Outer Diameter	150 mm
Width	24 mm
d	100 mm
D	150 mm
B	24 mm
C	24 mm
r min.	1,5 mm
da min.	108 mm
da max	112 mm
Da max.	142 mm
ra max.	1,5 mm
Weight	1,25 Kg
Basic dynamic load rating (C)	60,2 kN
Basic static load rating (C0)	54,2 kN
(Grease) Lubrication Speed	2500 r/min

6020-2RS Bearing 2D drawings and 3D CAD models