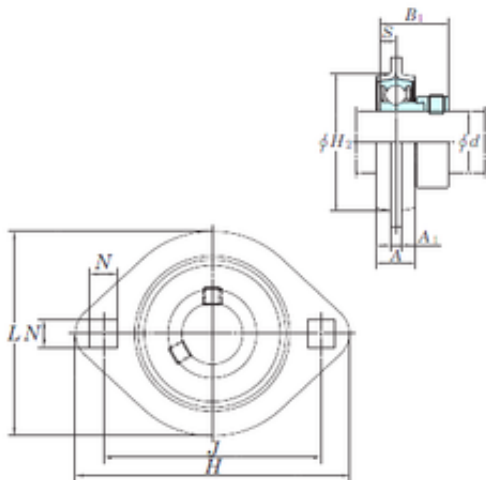




Timken BEARING MFG.CORP

KOYO SAPFL205-14 bearing units

Bearing No. SAPFL205-14



Bore Diameter	20,6375 mm
Width	30,5 mm
d	20,6375 mm
A	18 mm
A1	4 mm
B	30,5 mm
H	95 mm
H2	60 mm
J	76 mm
L	71 mm
N	9 mm
S	7,5 mm
Bolt (G)	M8
Weight	0,32 Kg
Basic dynamic load rating (C)	14 kN
Basic static load rating (C0)	7,85 kN

SAPFL205-14 Bearing 2D drawings and 3D CAD models