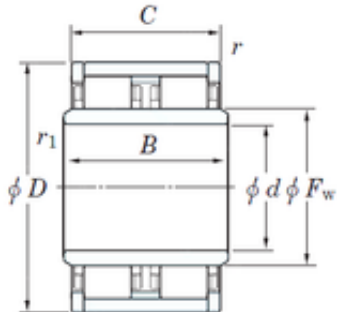




Timken BEARING MFG.CORP

95 mm x 170 mm x 120 mm KOYO 2UJ95
cylindrical roller bearings



Bearing No. 2UJ95

Size	95x170x120 mm
Bore Diameter	95 mm
Outer Diameter	170 mm
Width	120 mm
d	95 mm
Fw	114 mm
D	170 mm
B	120 mm
C	105 mm
r min.	1,1 mm
r1 min.	10 mm
Weight	10,9 Kg
Basic dynamic load rating (C)	497 kN

2UJ95 Bearing 2D drawings and 3D CAD models