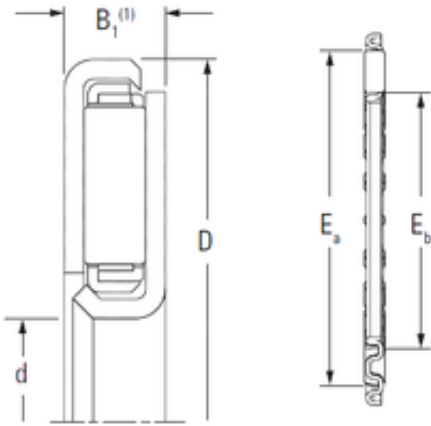




Timken BEARING MFG.CORP

KOYO TVK2340JL-3 needle roller bearings

Bearing No. TVK2340JL-3



TVK2340JL-3 Bearing 2D drawings and 3D CAD models

Size	22.6x40x3.6 mm
Bore Diameter	22,6 mm
Outer Diameter	40 mm
Width	3,6 mm
d	22,6 mm
D	40 mm
B1	3,6 mm
Ea	36 mm
Eb	28 mm
Weight	0,016 Kg
Basic dynamic load rating (C)	11,8 kN
Basic static load rating (C0)	43,1 kN