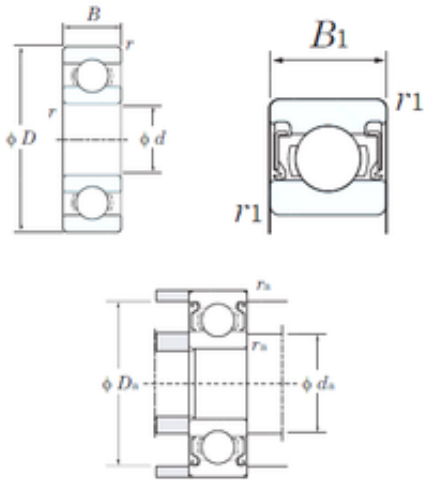




Timken BEARING MFG.CORP



9 mm x 20 mm x 6 mm KOYO 699-2RS deep groove ball bearings

Bearing No. 699-2RS

Size	9x20x6 mm
Bore Diameter	9 mm
Outer Diameter	20 mm
Width	6 mm
d	9 mm
D	20 mm
B	6 mm
C	6 mm
r min.	0,3 mm
r1 min.	0,3 mm
da min.	11 mm
Da max.	18 mm
ra max.	0,3 mm
Weight	0,0075 Kg
Basic dynamic load rating (C)	2,45 kN
Basic static load rating (C0)	1,05 kN
(Grease) Lubrication Speed	25000 r/min

699-2RS Bearing 2D drawings and 3D CAD models