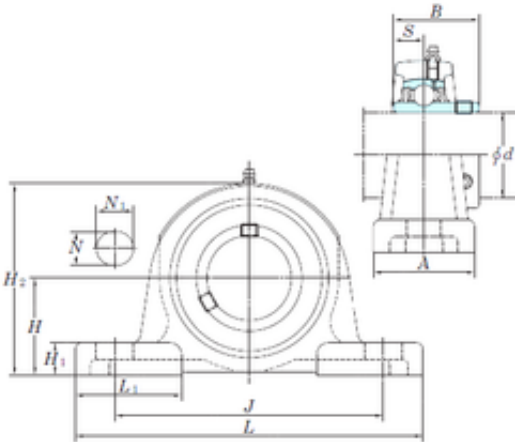




# Timken BEARING MFG.CORP

## KOYO UCP215 bearing units

Bearing No. UCP215



UCP215 Bearing 2D drawings and 3D CAD models

Bore Diameter	75 mm
Width	77,8 mm
d	75 mm
A	74 mm
B	77,8 mm
H	82,6 mm
H1	28 mm
H2	162 mm
J	217 mm
L	275 mm
L1	80 mm
N	25 mm
N1	30 mm
S	33,3 mm
Bolt (G)	M20
Weight	7,4 Kg
Basic dynamic load rating (C)	67,4 kN
Basic static load rating (C0)	48,3 kN
Bearing No.	UCP215
Bolt size	M20
Cr	67.4
C0r	48.3
f0	14.5
(Refer.)Unit mass(kg)	7.4
Nipple size	R1/8